

VRLA Rechargeable Battery

FTB105-12 (FTB105-12FR)

FEATURES

- Absorbent Glass Mat technology for efficient gas recombination
- Long life expectancy 10 years in float application
- Front accessible terminal for ease of assembly
- Carry handles for ease of installation
- Strengthened rib design to maintain structural integrity
- Flame-arrestor is installed to ensure safety
- Battery design allows for 48VDC configuration in a standard 19" rack
- One-way self-resealing safety valve for long life guarantee

APPLICATION

- UPS
- Railroad Signal
- Telecom
- Electric Utility
- Broadband
- Central Office



SPECIFICATIONS

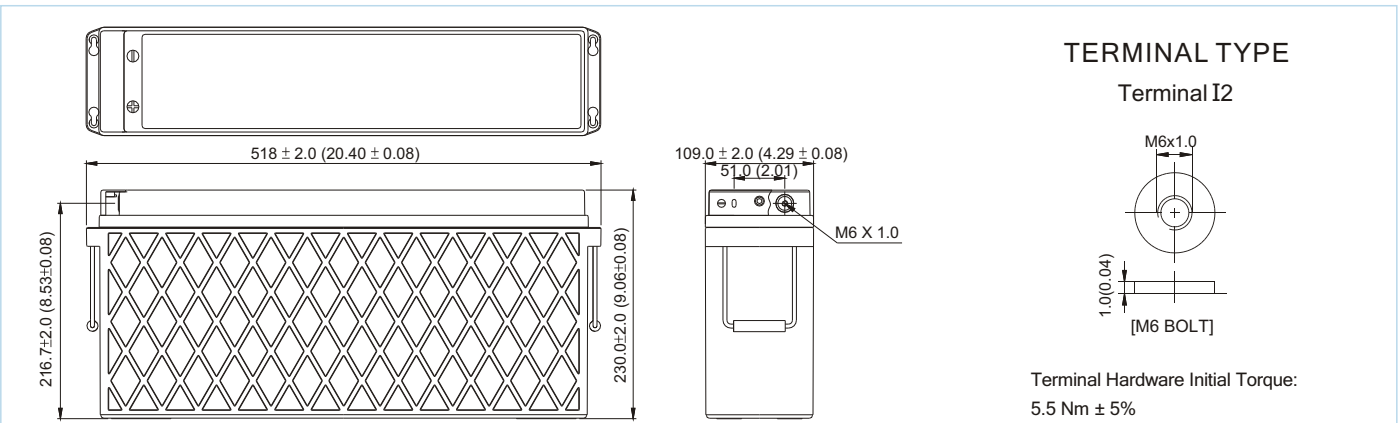
Nominal Voltage	12V	
Nominal Capacity(25°C)	10 Hour Rate (10.70A, 10.5V)	107.0 Ah
	8 Hour Rate (13.1A, 10.5V)	105.0 Ah
	1 Hour Rate (69.3A, 10.5V)	69.3 Ah
Approx. Weight	34.5Kg(76.06lbs.)	
Terminals	I2 (M6 Female Thread)	
Max. Discharge Current	800 A (5 sec.)	
Max. Charge Current	26.3 A	
Operating Temperature Range	Charge	0°C~40°C(32°F~104°F)
	Discharge	-20°C~50°C(-4°F~122°F)
	Storage	-20°C~40°C(-4°F~104°F)
Self Discharge	< 3% per month (25°C)	
Internal Resistance	≤ 4.2mΩ (Fully Charged)	
Float Voltage	2.25 to 2.30 VPC. Recommended 2.275 VPC @ 20°C	
Safety Valve	Opening pressure 10~35 kPa	

CONTAINER MATERIAL

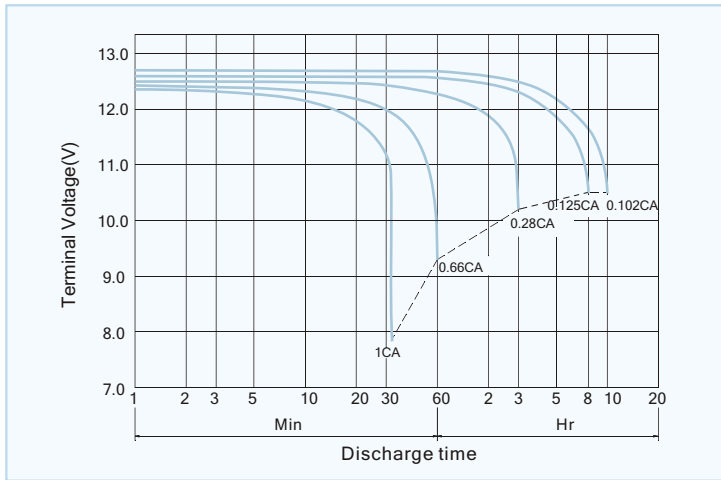
- FTB105-12:
ABS: UL 94-HB (Dark gray color)
- FTB105-12FR:
ABS: UL 94-V0 (Light gray color)

WSF ISO9001	WSF ISO14001
UL MH19884	CE C4M20310-2474-E-16
UL	CE
• IEC60896-21/22	• BS6290/4
• GB/T 19638.2	• Eurobat guide

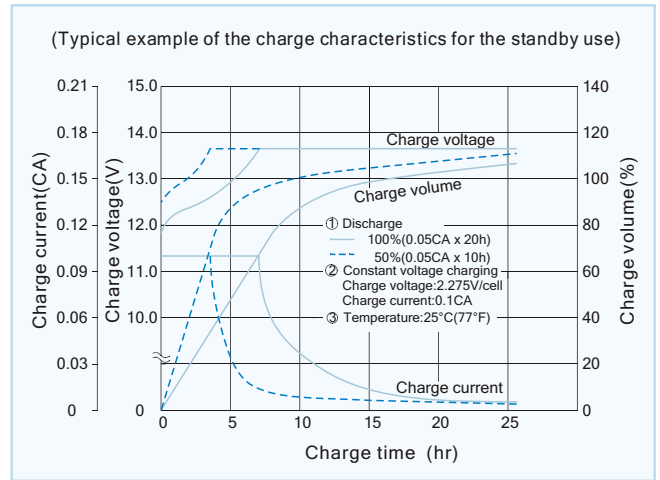
OUTER DIMENSIONS	mm(inch)	Length (L)	Width (W)	Container Height (H)	Total Height (TH)
		518±2.0(20.40±0.08)	109±2.0(4.29±0.08)	230±2.0(9.06±0.08)	230±2.0(9.06±0.08)



FTB105-12 (FTB105-12FR) discharge characteristics (25°C /77°F)



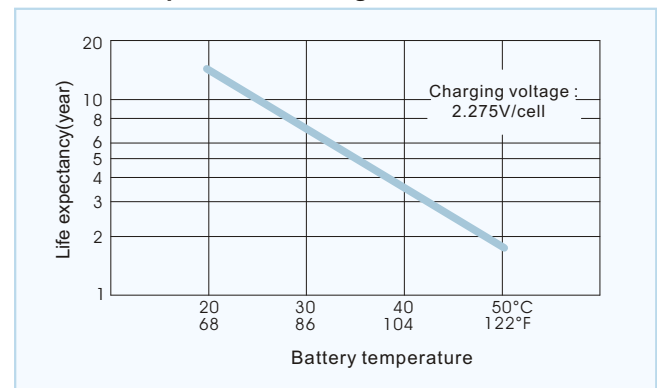
Battery Charging Characteristics



Charging Procedure

Application	Charging method	Charging Voltage at 25°C (V/cell)	Temperature compensation coefficient of charging voltage (mV/°C /cell)	Max. charging current (CA)	Charging time 0.1CA, 25°C (h)		Temp (°C)
					100% discharge	50% discharge	
For standby power Source	Constant voltage & Constant current charging (with current restriction)	2.25~2.30	-3	0.2	24	20	0~40 (32~104°F)
For cycle service		2.40~2.50	-4	0.2	16	10	

Effect Of Temperature On Long Term Float Life



Constant power discharge characteristics at 25 °C/77 °F Unit: W

F.V. (V/cell) \ Discharge Time	15 Min	30 Min	45 Min	1 Hr	2 Hr	3 Hr	4 Hr	5 Hr	8 Hr	10 Hr	20 Hr
1.90V	1392	1082	789	651.3	391.3	287.6	230.1	193.9	132.62	108.47	58.14
1.85V	1643	1287	855	755.9	455.8	336.5	266.9	222.2	149.96	122.90	60.02
1.80V	1857	1367	986	798.5	474.0	349.0	276.0	229.1	154.93	127.26	67.58
1.75V	2038	1419	1019	817.5	482.9	353.5	280.7	233.6	157.50	128.52	68.73
1.70V	2182	1450	1039	831.1	487.5	357.0	283.0	234.8	157.50	128.52	68.73
1.65V	2278	1471	1053	842.3	492.0	360.4	285.2	236.0	157.50	128.52	68.73
1.60V	2300	1486	1063	847.4	493.9	361.7	286.1	236.6	157.85	128.75	68.80

Constant current discharge characteristics at 25 °C/77 °F Unit: A

F.V. (V/cell) \ Discharge Time	15 Min	30 Min	45 Min	1 Hr	2 Hr	3 Hr	4 Hr	5 Hr	8 Hr	10 Hr	20 Hr
1.90V	117.6	90.2	65.8	54.28	32.61	23.97	19.18	16.16	11.05	9.04	4.85
1.85V	139.0	108.3	71.2	64.33	38.47	28.16	22.24	18.52	12.50	10.24	5.00
1.80V	159.4	115.9	83.2	67.97	39.99	29.21	23.01	19.09	12.92	10.61	5.63
1.75V	178.1	120.2	85.9	69.58	40.76	29.59	23.38	19.48	13.13	10.71	5.73
1.70V	192.6	122.9	87.6	70.73	41.14	29.87	23.57	19.57	13.13	10.71	5.73
1.65V	201.5	124.7	88.8	71.69	41.52	30.16	23.77	19.66	13.13	10.71	5.73
1.60V	203.9	125.9	89.6	72.12	41.69	30.27	23.84	19.72	13.15	10.73	5.73

All data shall be changed without prior notice, BB reserves the right to explain and update the information contained herein.

Trials A/3 REV. Sep. 2012

USA:
 B&B BATTERY(USA) INC.
 6415 RANDOLPH ST.COMMERCE, CA,90040 U.S.A.
 TEL:1-323-278-1900.1-800-278-8599
 FAX:1-323-278-1268
 E-Mail:sales@bb-battery.com

CHINA FACTORY:
 B.B. BATTERY CO., LTD.
 CHENG DONG TRIAL AREA,HUANG GANG,
 RAOPING, GUANG DONG,CHINA,515700
 TEL:86-768-7601001-2
 FAX:86-768-7601469
 E-Mail:maggy@bb-battery.com

EUROPE:
 B&B BATTERY(EUROPE) B.V.
 SUITE 8, HAAKSBERGWEG 33, 1101
 BP AMSTERDAM, THE NETHERLANDS
 TEL: 31-30-3200190
 MOBILE: 886-933896989
 E-Mail: gary@bb-battery.com

HONG KONG:
 B&B BATTERY(Hong Kong) Co.
 TEL:852-2311-4918
 FAX:852-2739-1182
 E-Mail:bbhk@hkstar.com

JAPAN:
 B&B BATTERY(JAPAN) CO., LTD.
 1375-11 NARAHARA-MACHI,HACHIOJI,
 TOKYO 193-0803,JAPAN.
 TEL:81-426-25-6375
 FAX:81-426-25-6375
 E-Mail:miyata@bb-battery.com

TAIWAN:
 B.B. BATTERY(TAIWAN) CO., LTD.
 TEL:886-6-502-5150
 FAX:886-6-589-8087
 E-Mail:kevin@bb-battery.com